



2105



2101



2103



2104

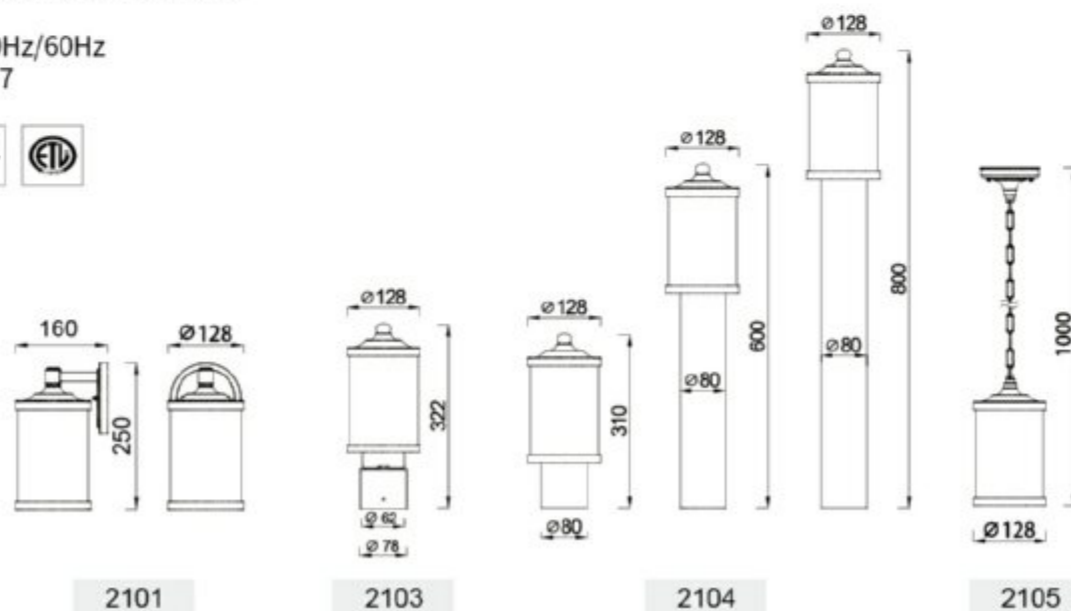


2101A

Product feature:

- *Die Cast Aluminum Body
- *UV Resistant Powder Coating
- *Glass diffuser
- *Brass or Stainless Steel Fasten Parts

110V~240V/AC 50Hz/60Hz
 Max 60W E26/E27

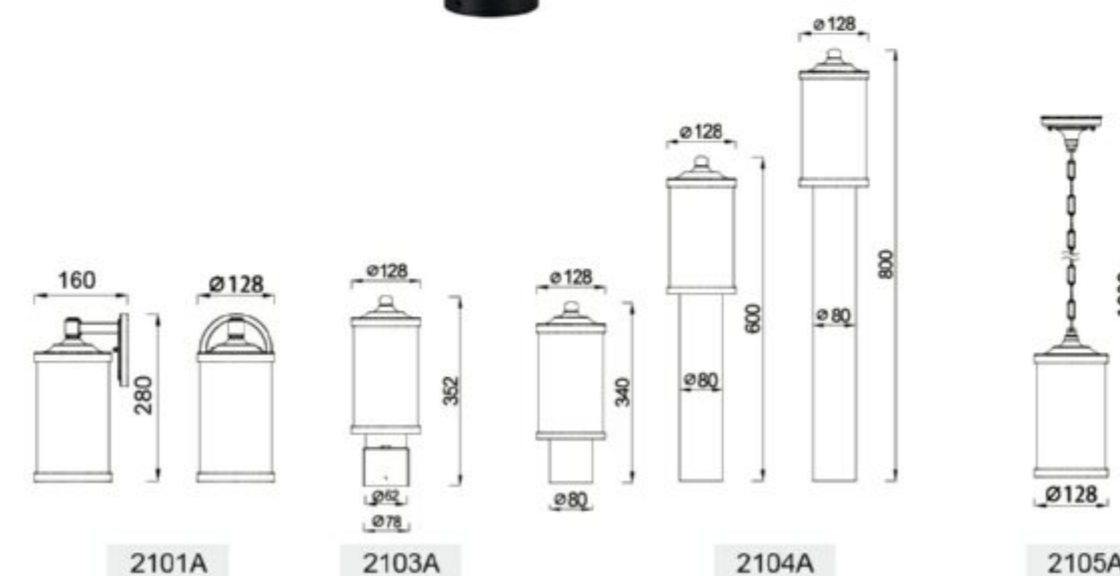


2101

2103

2104

2105



2101A

2103A

2104A

2105A



21012



21012

21014

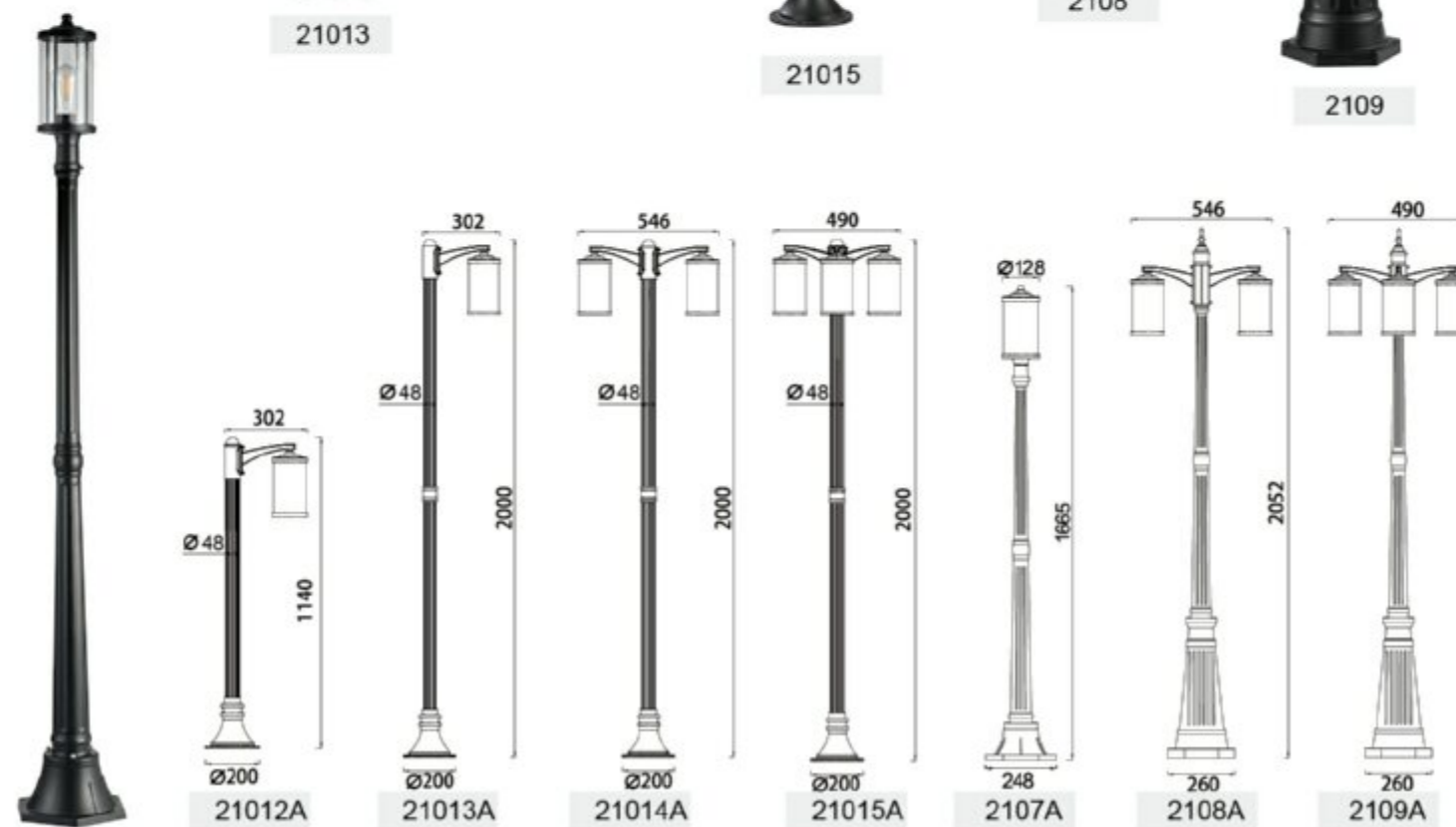
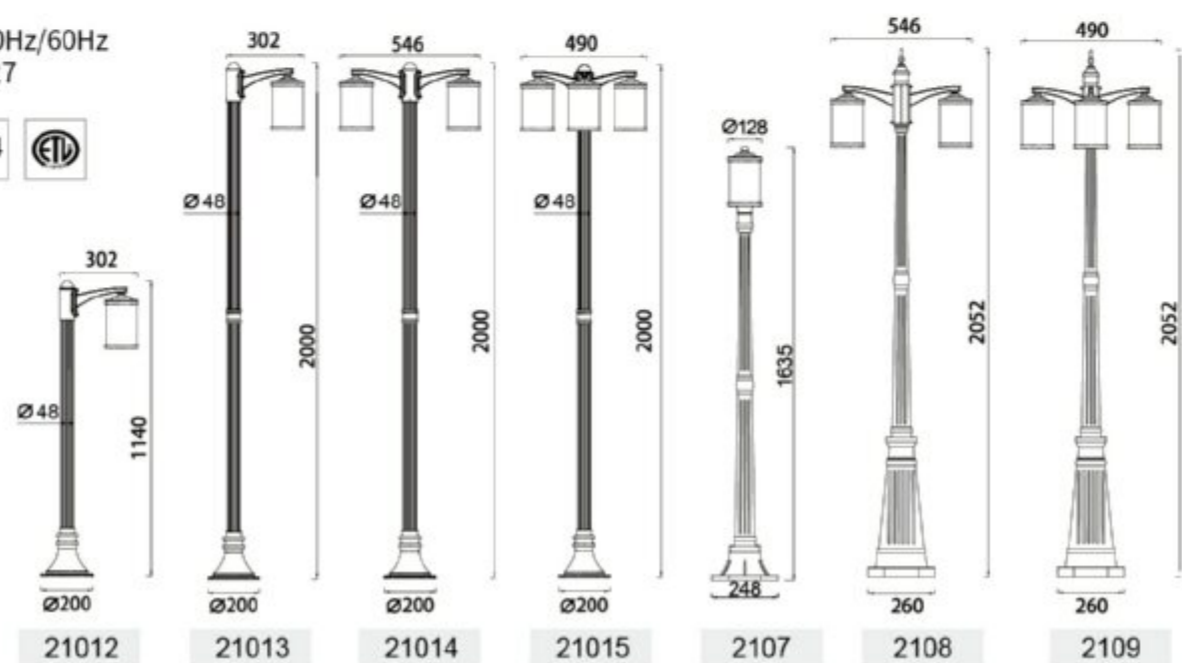
2108

2109

Product feature:

- *Die Cast Aluminum Body
- *UV Resistant Powder Coating
- *Glass diffuser
- *Brass or Stainless Steel Fasten Parts

110V~240V/AC 50Hz/60Hz
 Max 60W E26/E27



2107A

21012A

21013A

21014A

21015A

2107A

2108A

2109A



2114



2111



2111A



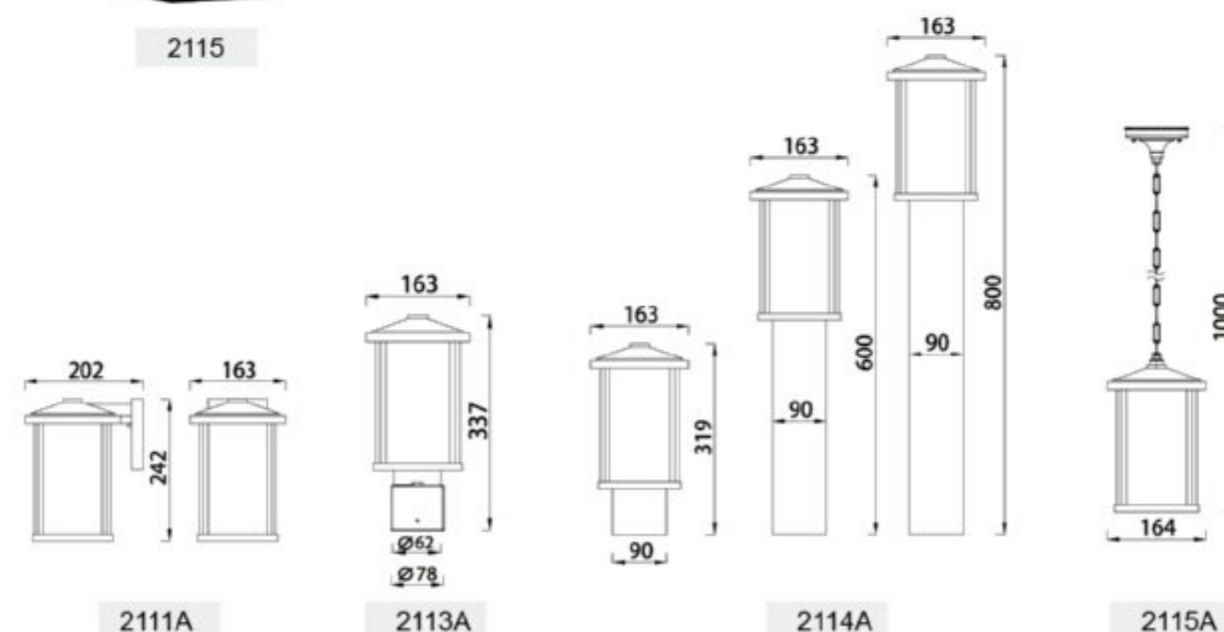
2113



2115



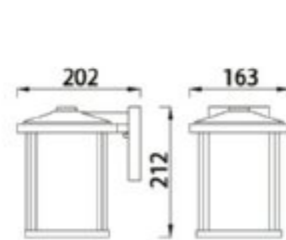
2114



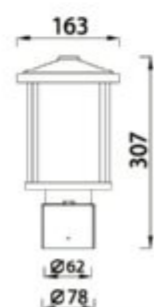
Product feature:

- *Die Cast Aluminum Body
- *UV Resistant Powder Coating
- *Glass diffuser
- *Brass or Stainless Steel Fasten Parts

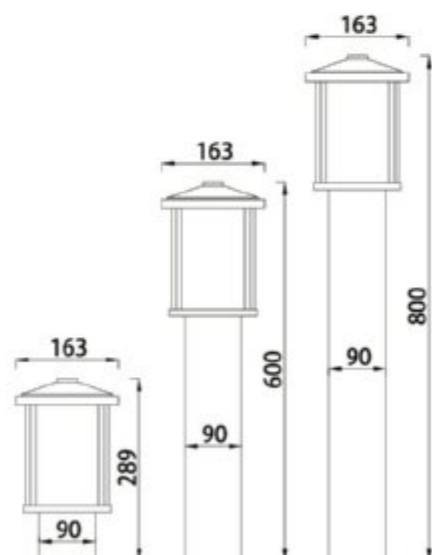
110V~240V/AC 50Hz/60Hz
 Max 60W E26/E27



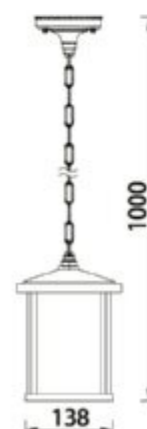
2111



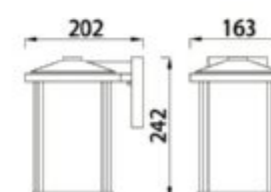
2113



2114



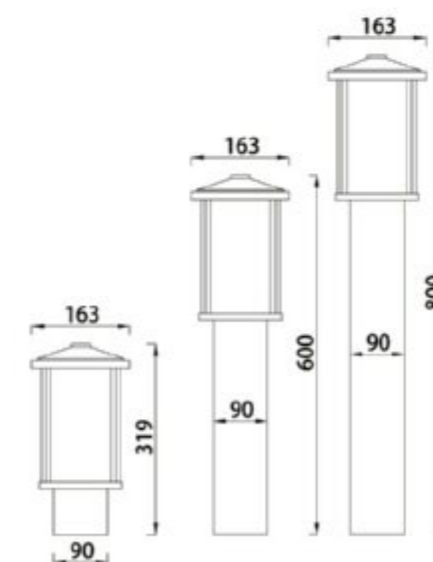
2115



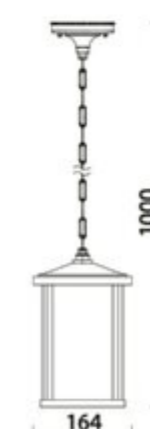
2111A



2113A



2114A



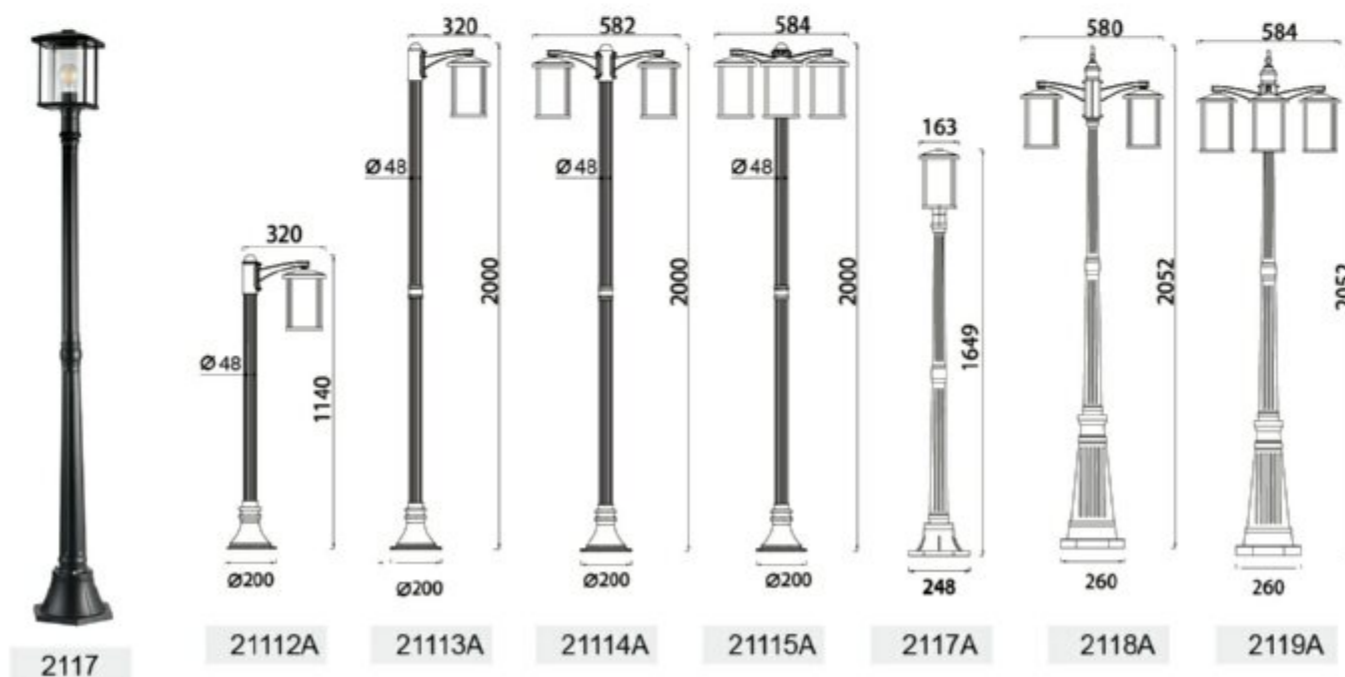
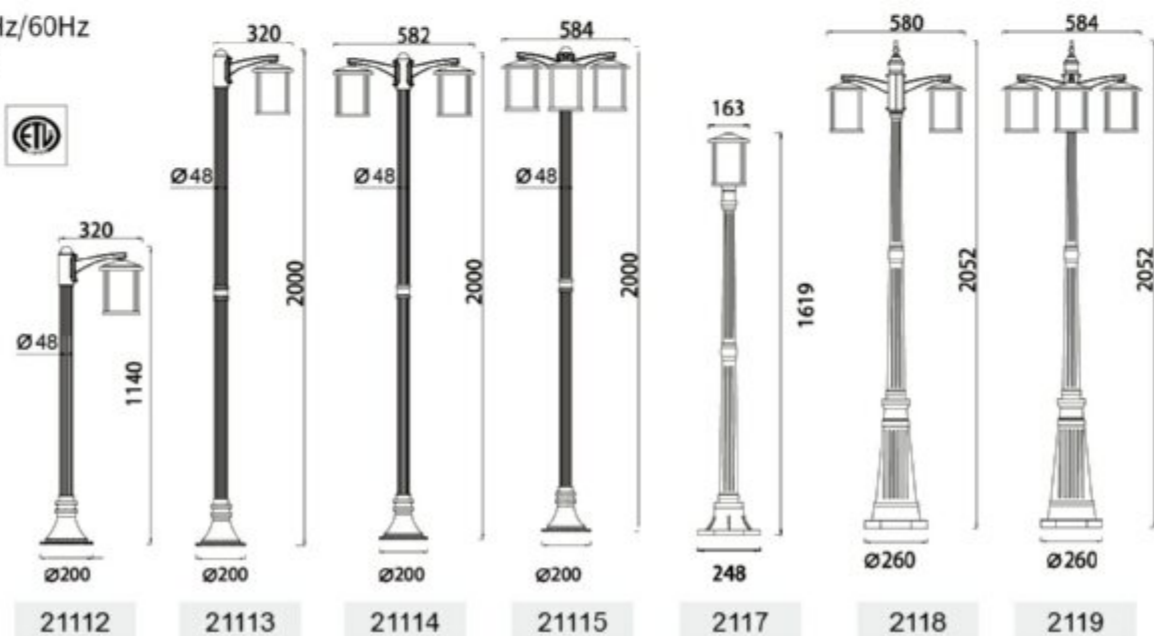
2115A



Product feature:

- *Die Cast Aluminum Body
- *UV Resistant Powder Coating
- *Glass diffuser
- *Brass or Stainless Steel Fasten Parts

110V~240V/AC 50Hz/60Hz
 Max 60W E26/E27





2124



2121



2121



2125



2124

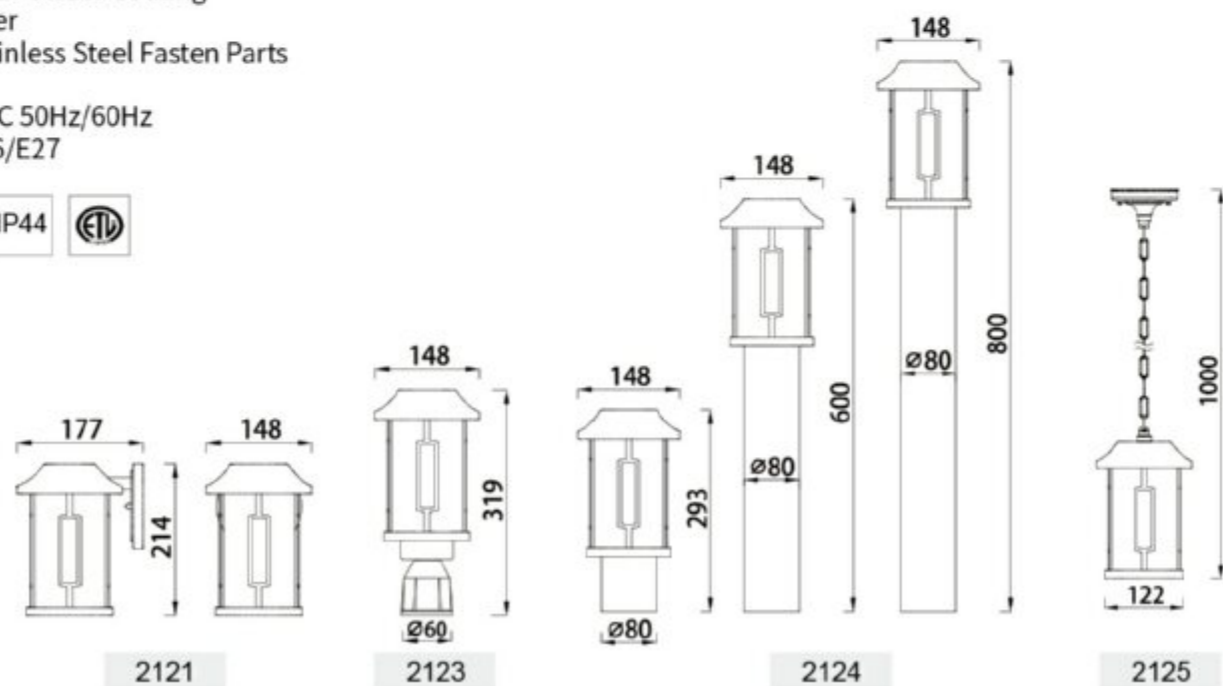


2123

Product feature:

- *Die Cast Aluminum Body
- *UV Resistant Powder Coating
- *Glass diffuser
- *Brass or Stainless Steel Fasten Parts

110V~240V/AC 50Hz/60Hz
 Max 60W E26/E27



2121

2123

2124

2125

